



CONCRETE AND MASONRY PRODUCTS

Structure: BR2x2x6
 Job Number:
 Job Name: Jones and Sons Precast
 Job Location:

Specification: 24"x24"

Contractor:



Based on:
 Take Off By: 6/22/2022 Caleb

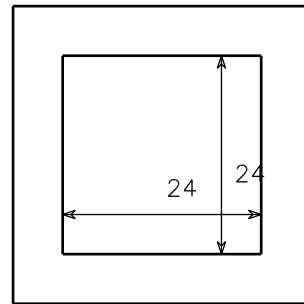
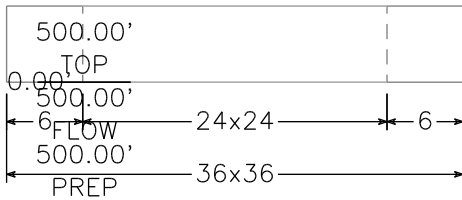
Design Build Height		Stack Build Height		Manufacture Date:	
Top of Casting	+ 500.00'	Adjustment	+ 0.50'	Ship Date:	
Outlet Invert	- 0.00'	Above Base	= 0.00'	Frame/Ring:	
Design Height	= 0.00'	Base	+ 0.00'	Channel:	
Above Base	= 0.00'	Design Height	= 0.00'	Coating:	
				Mix:	
				Notes:	

Elevation (View A-A)

Openings

ID	Invert	Pipe Size	Hole Size	Connector	Angle
----	--------	-----------	-----------	-----------	-------

Plan View



BOM For Stack

ID	Description	Qty.	Weight
Totals (precast, lbs)		0	