



Structure: CCB 24" x 24"
 Job Number:
 Job Name: Jones and Sons Precast
 Job Location:

Specification: 24"x24"
 Contractor:



Based on:
 Take Off By: 2/4/2020 Caleb

Design Build Height		Stack Build Height		Manufacture Date:	
Top of Casting	+ 500.00'	Base Gain	+ 4.00'	Ship Date:	
Floor Elevation	- 496.00'	Design Height	= 4.00'	Frame/Ring:	
Design Height	= 4.00'	Floor Thickness	+ 0.50'	Channel:	
		Outside Height	= 4.50'	Coating:	
				Mix:	
				Notes: Sizes can vary from 12" to 60"	

Elevation (View A-A)

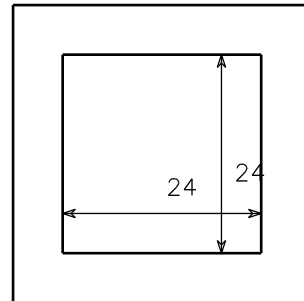
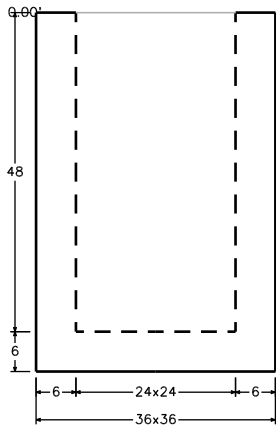
Openings

ID	Invert	Pipe Size	Hole Size	Connector	Angle
----	--------	-----------	-----------	-----------	-------

Plan View

500.00'
TOP
500.00'
FLOW

495.50'
PREP



BOM For Stack

ID	Description	Qty.	Weight
A	24"x24" Base 6F 48HI	1	3,666
Totals (precast, lbs)		1	3,666