



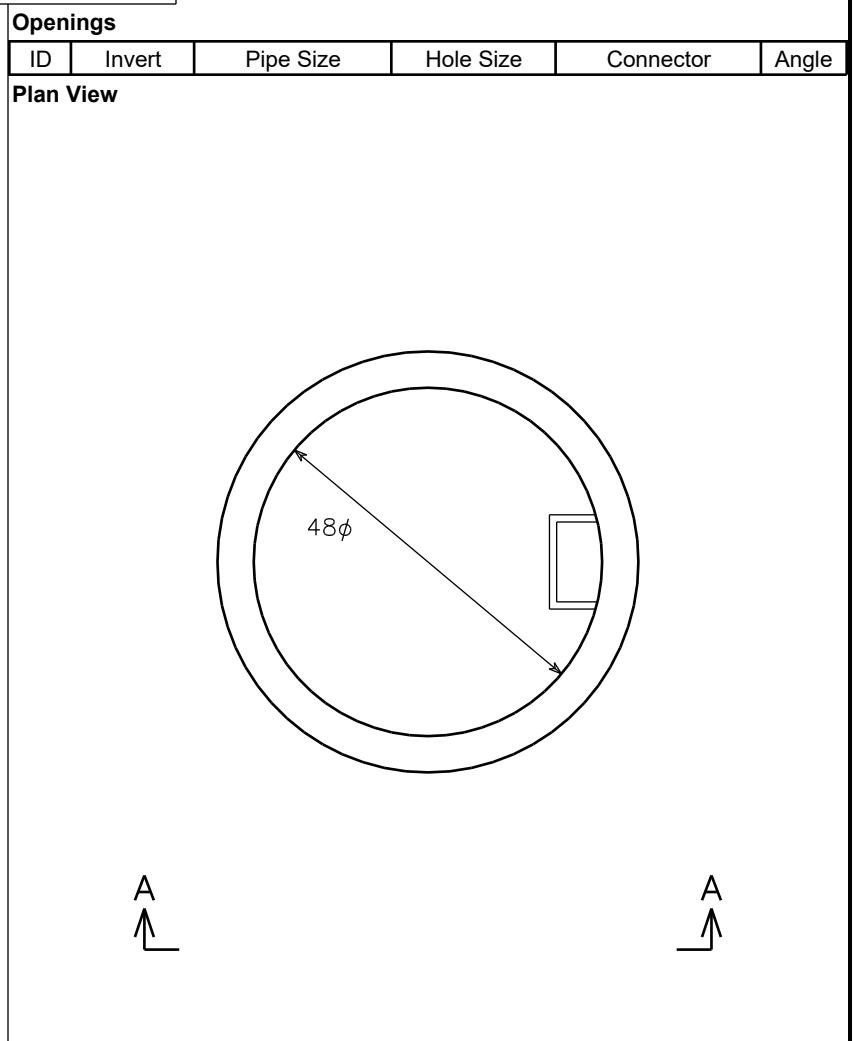
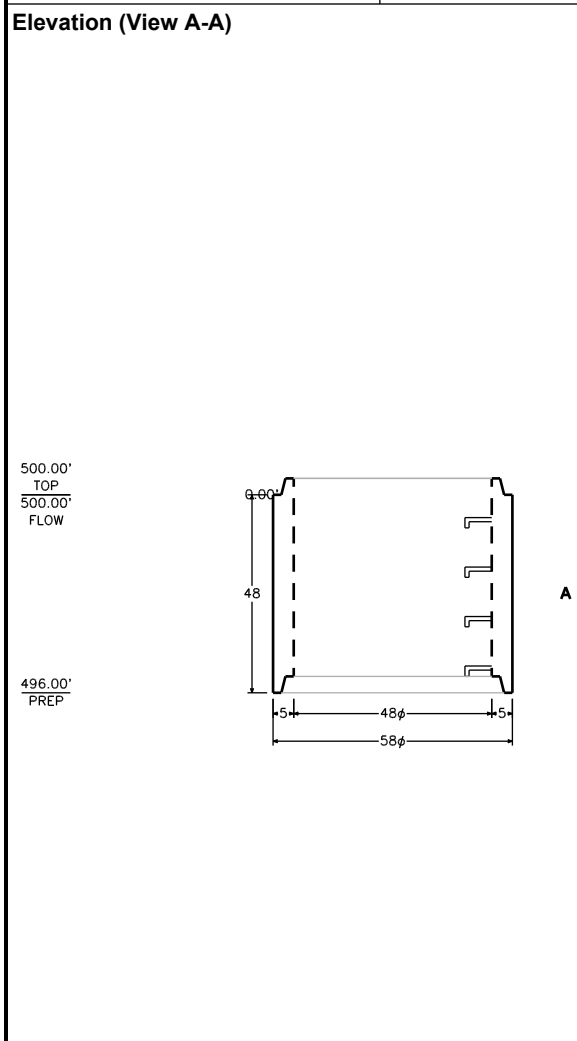
Structure: CP48/FT
 Job Number:
 Job Name: Jones and Sons Precast
 Job Location:

Specification: 48" Storm
 Contractor:



Based on:
 Take Off By: 2/4/2020 Caleb

Design Build Height		Stack Build Height		Manufacture Date:	
Top of Casting	+ 500.00'	Last Riser Gain	+ 0.00'	Ship Date:	
Outlet Invert	- 0.00'	Design Height	= 0.00'	Frame/Ring:	
Design Height	= 0.00'	To Floor	+ 4.00'	Channel:	
		Floor Thickness	+ 0.00'	Coating:	
		Outside Height	= 4.00'	Mix:	
				Notes:	Sizes can vary from 12" to 48" Steps are optional



BOM For Stack

ID	Description	Qty.	Weight
A	48" Riser 48H	1	3,424
Totals (precast, lbs)		1	3,424