



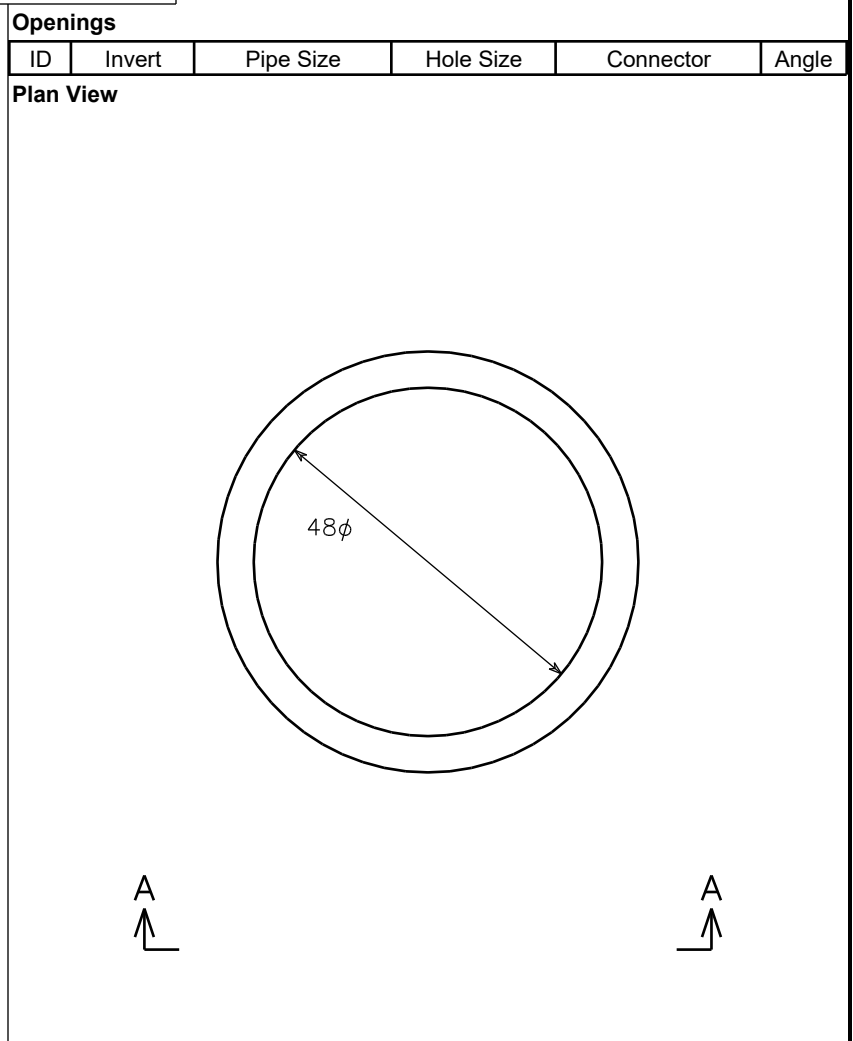
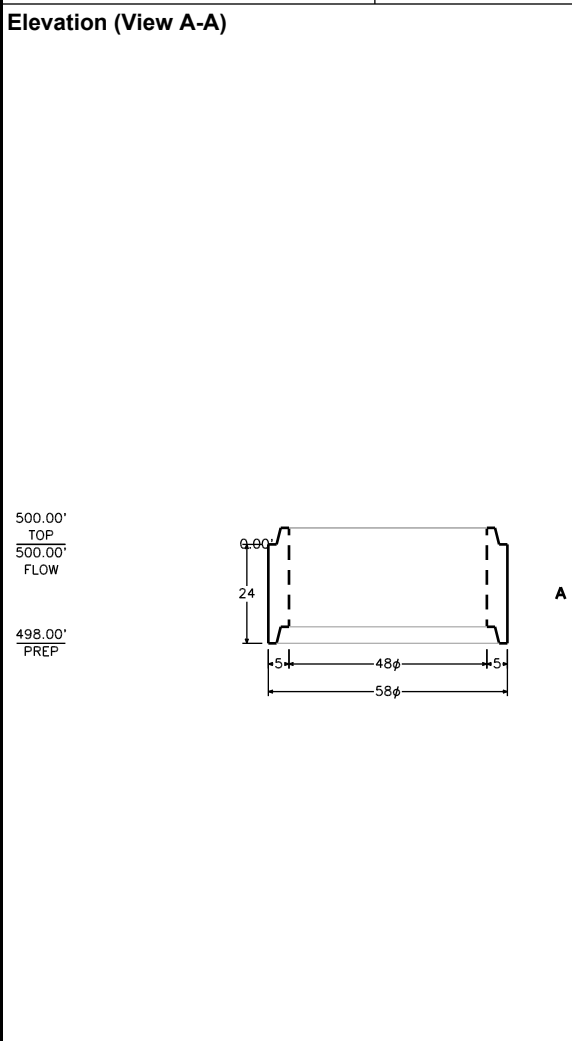
Structure: CP48x24  
 Job Number:  
 Job Name: Jones and Sons Precast  
 Job Location:

Specification: 48" Storm  
 Contractor:



Based on:  
 Take Off By: 6/20/2022 Caleb

<b>Design Build Height</b>		<b>Stack Build Height</b>		<b>Manufacture Date:</b>	
Top of Casting	+ 500.00'	Last Riser Gain	+ 0.00'	<b>Ship Date:</b>	
Outlet Invert	- 0.00'	<b>Design Height</b>	= <b>0.00'</b>	<b>Frame/Ring:</b>	
<b>Design Height</b>	= <b>0.00'</b>	To Floor	+ 2.00'	<b>Channel:</b>	
		Floor Thickness	+ 0.00'	<b>Coating:</b>	
		<b>Outside Height</b>	= <b>2.00'</b>	<b>Mix:</b>	
				<b>Notes:</b>	



**BOM For Stack**

ID	Description	Qty.	Weight
A	48" Riser 48H 24H	1	1,712
<b>Totals (precast, lbs)</b>		1	1,712